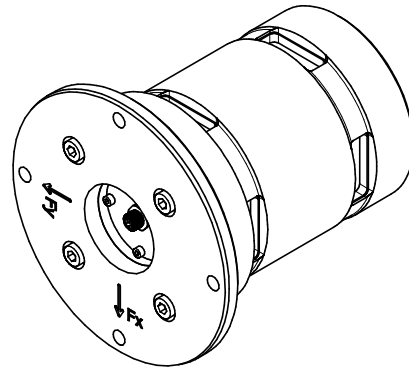
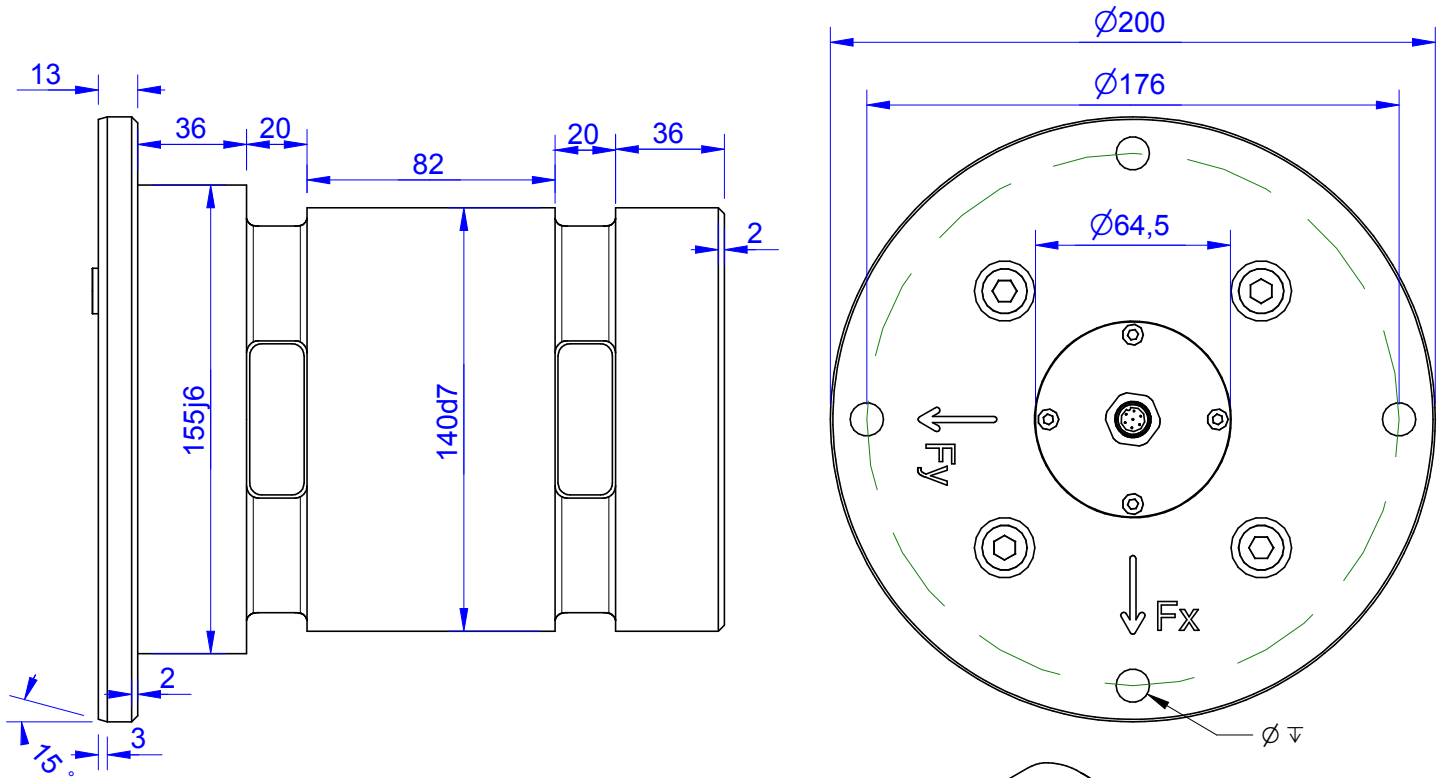


MB280

2 Axis Load Pin

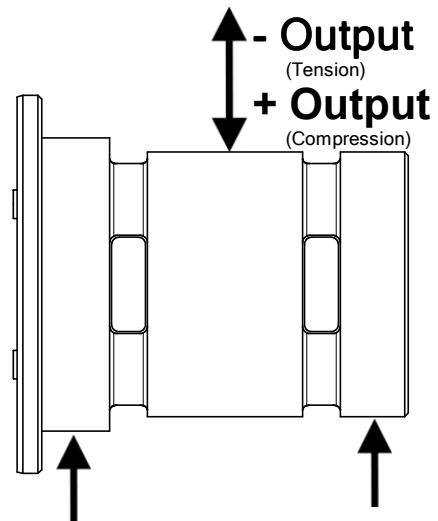


Order no.	Capacity (F.S.)	Review
MB280-750-A*	750 kN	A
MB280-1500-A	1500 kN	A

* above showed version
The fixed dimensions don't change at the other capacity.

Specifications: (Customizing on request)

Dimension / Material		
Material		HS Steel
Protection class		IP 65
Mechanical Data		
Safe Load Limit	% of F.S.	150
Breaking Load	% of F.S.	300
Electrical Data		
Rated Output	mV/V@F.S.	1
Zero Balance	mV/V	±0,05
Excitation (Maximum)	Volt	10
Input Resistance	Ohm	800±100
Output Resistance	Ohm	702±2
Insulating Resistance	GOhm	>5
Precision		
Precisionclass	%	1
Nonlinearity	% of F.S.	± 0,5
Nonrepeatability	% of F.S.	± 0,25
Hysteresis	% of F.S.	± 0,2
Temp. Shift Zero	% of F.S./K.	±0,05
Temp. Shift Span	% of F.S./K.	±0,05
Temperature		
Compensated Temp.	°C	-10...+60
Operating Temp.	°C	-20...+70



Wiringcode: WC56			
Cabeling: M12 Male Socket / Flanschdose (male)			
+Us (Fx)	Pin 2 / brown	+Us (Fy)	Pin 6 / pink
-Us (Fx)	Pin 1 / white	-Us (Fy)	Pin 5 / grey
+Ud (Fx)	Pin 3 / green	+Ud (Fy)	Pin 7 / blue
-Ud (Fx)	Pin 4 / yellow	-Ud (Fy)	Pin 8 / red

Batarow
Made in Germany

Batarow Sensorik GmbH
Karow 17
18276 Lüssow

Mail: info@batarow.com
Phone: +49 (0) 3843-855555
Fax : +49 (0) 3843-218842

Internet:
www.batarow.com