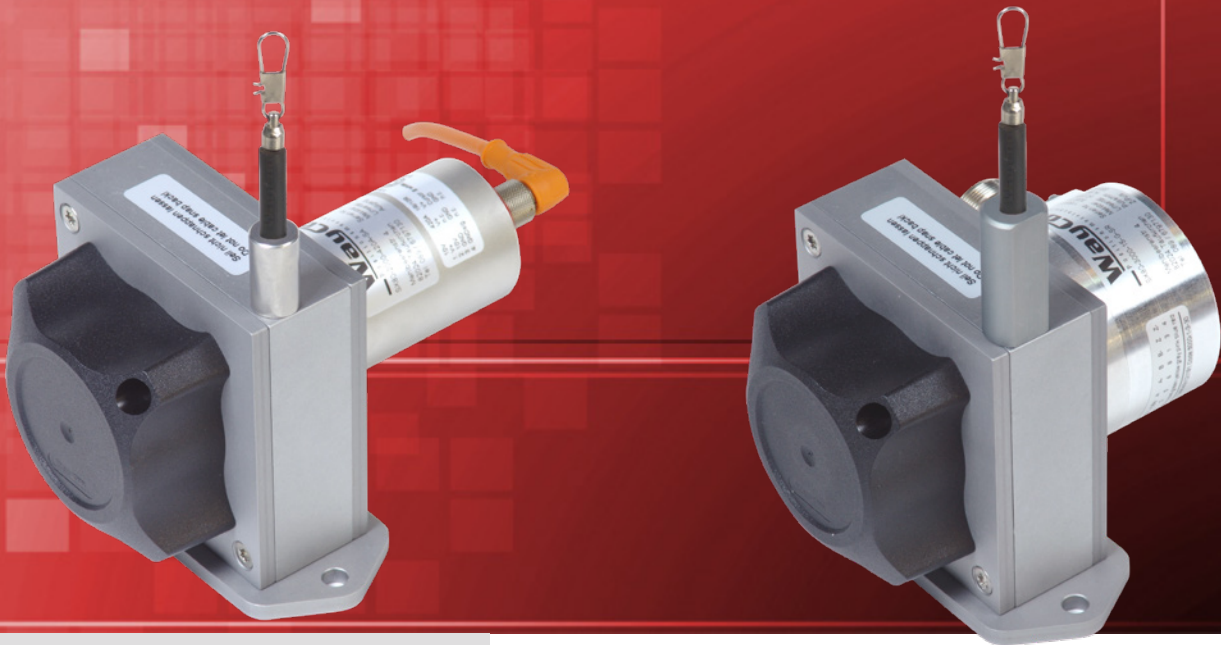


DRAW WIRE SENSOR



Content:

Introduction2
Technical Data Analog3
Technical Data Incremental4
Technical Data Digital WCAN5
Technical Data Digital6
Technical Drawing7
Options9
Accessories	..10
Order Code	..11

Series SX80

Key-Features:

- Measurement ranges from 1000 to 3000 mm
- Analog Output: Potentiometer, 0...10 V, 4...20 mA
- Teachable outputs: 0...5 V, 0...10 V, with an additional Open-Collector switching output
- Digital Output Incremental: RS422 (TTL), push-pull
- Digital Output Absolute: CANopen, SSI, Profibus, EtherCAT, Profinet
- Linearity up to $\pm 0.02\%$ of full scale
- Protection class up to IP67
- Temperature range -20...+85 °C (optional -40 °C or +120 °C)
- High dynamics
- High interference immunity factor
- Customised versions available

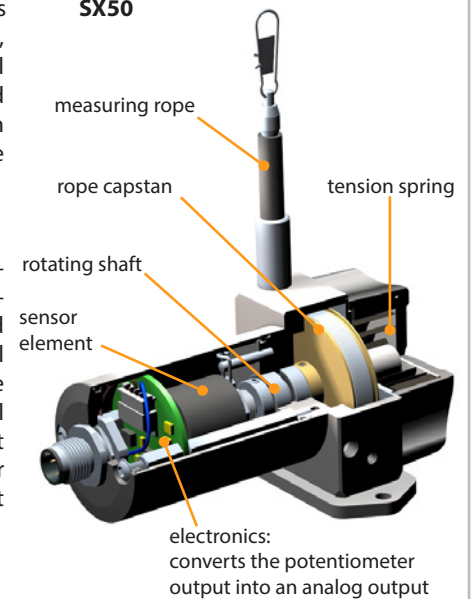
INTRODUCTION

WayCon Positionsmesstechnik GmbH is a manufacturer of high quality draw wire position sensors for industrial use. Due to its small overall size, its short assembly time and its possible customisation, the SX sensor technology is a cost-effective and flexible solution for a wide range of industrial applications. The dynamics of the draw wire transducer allows a high motion speed and acceleration of the measuring target. Its rugged design and high quality makes applications in harsh industrial environments possible. Special instruments are available with mounting service of encoder on site, as well as customised versions of housing.

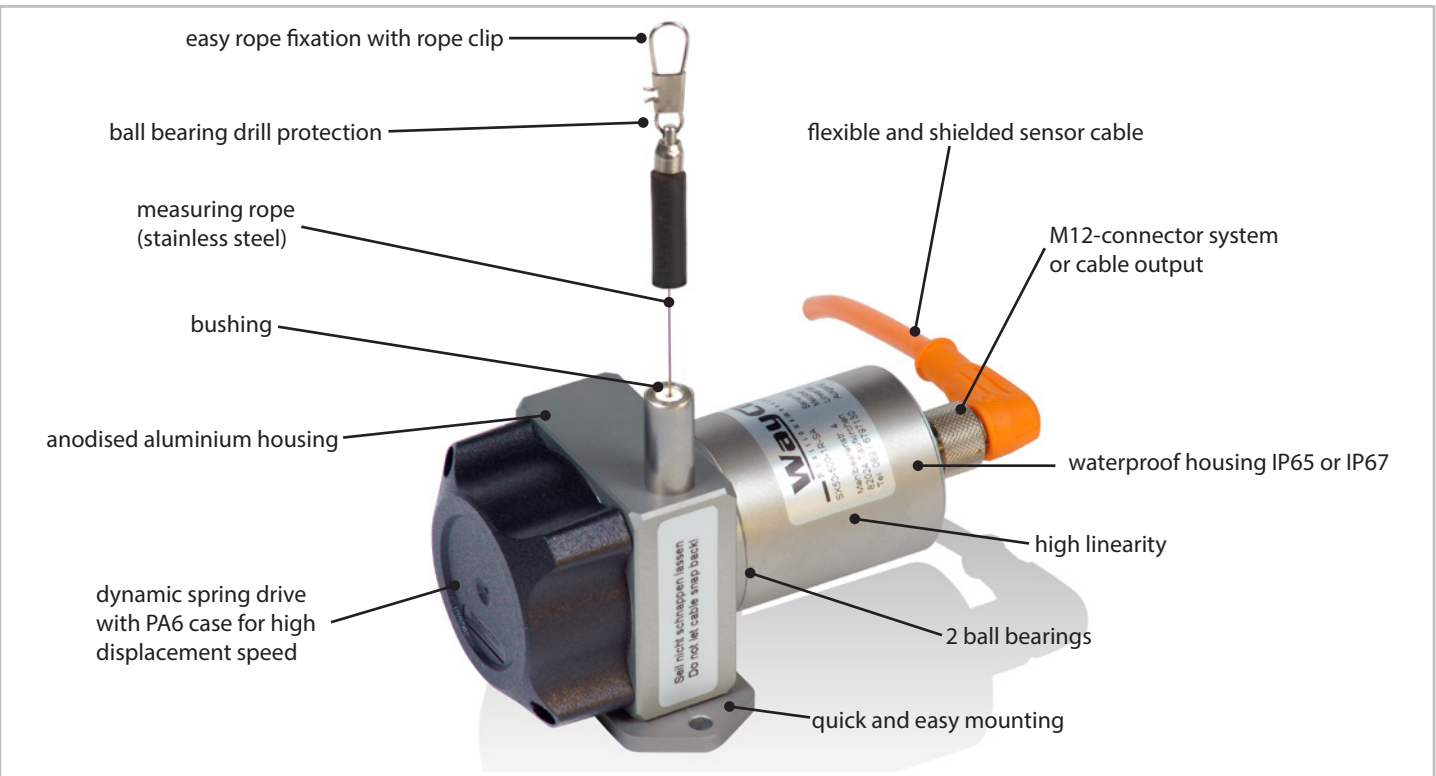
Sensor principle:

The key component of a draw wire sensor is a highly flexible steel wire rope, that is wound single-layered on an ultra-light capstan. This capstan is connected to the sensor housing by a pre-stressed spring. The end of the steel wire rope, that is equipped with a rope clip gets connected to the target object. As soon as the distance between sensor and target object changes, the steel wire rope gets pulled out of the sensor and is rolled off the capstan (or vice versa). The shaft of the capstan is connected to a potentiometer (for analog output signals), or to an encoder (for digital output signals). If there is a rotation of the capstan due to a change in the distance to the target object, the sensor element will turn proportionally. This way the potentiometer, or the encoder converts a linear movement into a proportional electrical signal. If a standard analog output signal, like 0...10 V or 4...20 mA is needed, the sensor is equipped with additional electronics.

SX50



OVERVIEW OF FEATURES



WARNING NOTICES

- Don't let the rope snap back. If the rope is retracted freely, this may lead to injuries (whiplash effect) and the device may be damaged. Caution when unhooking and retracting the rope into the sensor.
- Never exceed the specified measurement range when extracting the rope!
- Do not try to open the device. The stored energy of the spring drive may lead to injuries when being mishandled.
- Do not touch the rope when operating the sensor.
- Avoid guiding the rope over edges or corners. Use a deflection pulley instead.
- Do not operate the sensor if the rope is buckled or damaged. A ripping of the rope may lead to injuries or a damaging of the sensor.

TECHNICAL DATA ANALOG OUTPUT

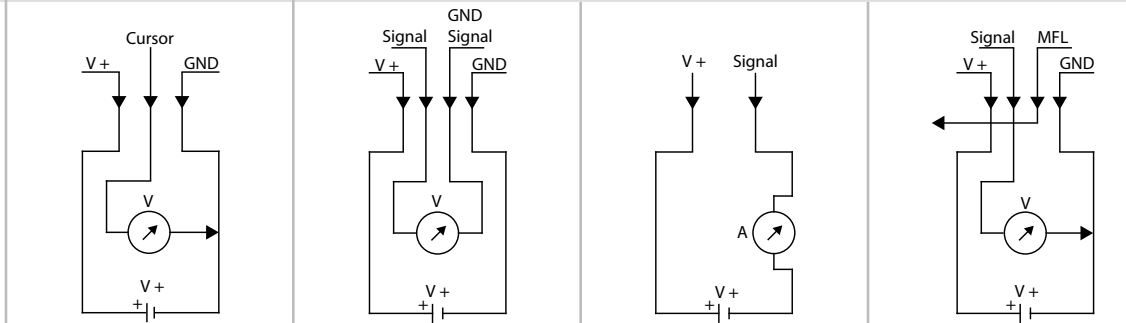
Measurement range *	[mm]	1000	1500	2000	2500	3000
Linearity	[%]	±0.15			±0.1	
Improved linearity (optional)	[%]	±0.1		±0.05	-	
Resolution		see output types below				
Sensor element		Hybrid Potentiometer				
Connection		connector output M12 or cable output axial (TPE cable, standard length 2 m)				
Protection class		IP65, optional IP67				
Humidity		maximum 90 % relative, no condensation				
Temperature		see output types below				
Mechanical data		extraction force, maximum velocity and maximum acceleration see „ Mechanical Data “				
Weight	[g]	700 to 900, depending on the measurement range				
Housing		aluminium, anodised, spring case PA6				

* other ranges on request

ELECTRICAL DATA ANALOG OUTPUT

	Potentiometer 1 kΩ	Voltage 0...5 V, 0...10 V	Current 4...20 mA	Voltage 0...5 V, 0...10 V (teachable up to 50 % MR)
Output	1 kΩ	0...5 V, 0...10 V, galvanically isolated, 4 conductors	4...20 mA, 2 conductors	0...5 V, 0...10 V, 3 conductors
Supply	max. 30 V	12...30 VDC		8...35 VDC
Recommended cursor current	< 1 μA	-		
Current consumption max.	-	22.5 mA (unloaded)	-	
Current consumption max.	-	-	-	150 mW
Output current	-	max. 10 mA, min. load 10 kΩ	max. 50 mA in case of error	max. 10 mA, min. load 1 kΩ
Dynamics	-	< 3 ms from 0...100 % and 100...0 %	< 1 ms from 0...100 % and 100...0 %	1 ms
Resolution	theoretically unlimited, limited by the noise			1 mV
Noise	dependent on the quality of the power supply	3 mV _{pp} typical, max. 37 mV _{pp}	0.03 mA _{pp} = 6 mV _{pp} at 200 Ω	3 mV _{pp} typical, max. 37 mV _{pp}
Inverse-polarity protection	-	yes, infinite		
Short-circuit proof	-	yes, permanent	-	yes, permanent
Working temperature	-20...+85 °C / optional: -40...+85 °C or -20...+120 °C	-20...+85 °C / optional: -40...+85 °C		
Temperature coefficient	± 0.0025 %/K	0.0037 %/K	0.0079 %/K	0.0016 %/K
Elektromagnetic compatibility (EMC)	-	according to EN 61326-1:2013		

Circuit



MFL = multi-functional line

TECHNICAL DATA DIGITAL OUTPUT INCREMENTAL

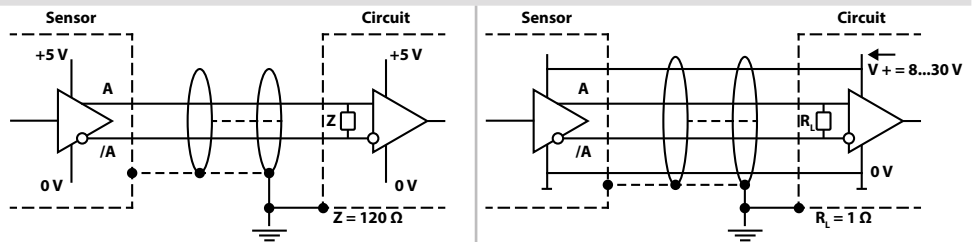
Measurement range *	[mm]	1000	1500	2000	2500	3000
Linearity	[%]	±0.05 (independent of the measurement range)				
Improved linearity (optional)	[%]	±0.02 (independent of the measurement range, only in combination with resolution 10 pulses/mm, or higher)				
Selectable resolution	[Pulses/mm]	0.5 / 5 / 10 / 25 (the resolution can be raised by the factor 4 using quadruple edge detection)				
Z-Pulse distance	[mm]	200				
Sensor element		Incremental-Encoder with optical code disk				
Output signal		A, B and Z pulse (plus inverted pulses /A, /B and /Z)				
Connection		connector output M12 or M23 or radial cable output (PVC, standard length 2 m)				
Protection class		IP65, optional IP67				
Humidity		maximum 90 % relative, no condensation				
Temperature range	[°C]	-20...+85				
Mechanical data		extraction force, maximum velocity and maximum acceleration see „ Mechanical Data “				
Weight	[g]	approx. 750				
Housing		aluminium, anodised, spring case PA6				

* others on request

ELECTRICAL DATA DIGITAL OUTPUT INCREMENTAL

		Line driver L RS422 (TTL-compatible)	Push Pull G
Power supply V+	[VDC]	5, ±5 %	8...30
Current consumption (no load)	[mA]	typical 40, max. 90	typical 40, max. 100
Load / Channel	[mA]	max. ±20	max. ±40
Pulse frequency	[kHz]	max. 300	max. 200
Signal level high	[V]	min. 2.5	min. V+ - 3
Signal level low	[V]	max. 0.5	min. V+ - 3

Recommended circuit

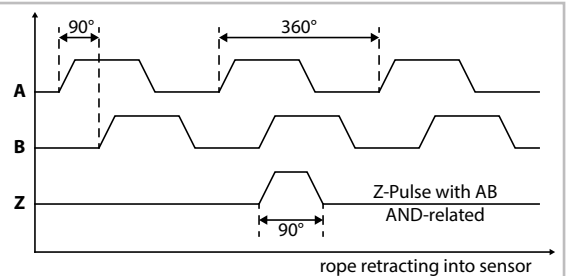


OUTPUT SIGNAL DIGITAL OUTPUT INCREMENTAL

Output signal

Pulses A and B are 90° phase-delayed (detection of direction). The Z-Pulse is emitted once per turn. The Z-Pulse distance is 200 mm (= circumference of the rope drum) and can be used as a reference mark.

(The diagram shows the signal without inverted signals; time line for return of rope.)



TECHNICAL DATA DIGITAL OUTPUT ABSOLUTE CANopen (WCAN)

Measurement range	[mm]	1000	1500	2000	2500	3000
Linearity	[%]	±0.15			±0.1	
Resolution		0.002 % of the measurement range				
Sensor element		Potentiometer				
Connection		connector output M12, 5 pins, axial (WCAN) or connector output M12, 8 pins, axial (WCANP)				
Protection class		IP65, optional IP67				
Humidity		maximum 90 % relative, no condensation				
Temperature		see „electrical data“ below				
Mechanical data		extraction force, maximum velocity and maximum acceleration see „ Mechanical Data “				
Weight	[g]	700 to 900, depending on the measurement range				
Housing		aluminium, anodised, spring case PA6				

ELECTRICAL DATA DIGITAL OUTPUT ABSOLUTE CANopen (WCAN)

CAN specification		Full CAN 2.0B (ISO11898)
Communication profile		CANopen CIA 301 V 4.2.0, Slave
Device profile		Encoder, absolute linear; CIA 406 V 3.2.0
Error control		Producer Heartbeat, Emergency Message, Node Guarding
Node ID		Default: 7, configurable via SDO and Squeezer (offline configuration) *
PDO		1 x TPDO, static mapping
PDO Modes		Event-triggered, Time-triggered, Sync-cyclic, Sync-acyclic
Transmission rate		1 Mbps, 800, 500, 250, 125, 50, 20 kbps configurable via SDO and Squeezer (offline configuration) *
Bus connection		M12 connector, 5 pins
Integrated Bus termination resistor		120 Ω, connectible via SDO and Squeezer (offline configuration) *
Bus, galvanic separation		No
Supply	[VDC]	8...30 VDC
Current consumption		10 mA typical at 24 V, 20 mA typical at 12 V
Measurement rate		1 kHz with 16-bit resolution
Repeatability	[%]	±0.15 or ±0.1 (according to the selected linearity)
Electrical protection		inverse polarity protection
Working temperature	[°C]	standard: -20...+85 / optional: -40...+85
Temperature coefficient	[%/K]	0.0014
EMV		DIN EN61326-1:2013, conformity with directive 2014/30/EU

* Offline configuration via Squeezer only in combination with M12 connector 8 pins.
 For more information on the offline configuration please refer to the CANopen [manual](#).
 For dimensions see technical drawing of analog output on page 7.

TECHNICAL DATA DIGITAL OUTPUT ABSOLUTE

		SSI	CANopen	Profibus-DP	EtherCAT	Profinet
Measurement range	[mm]	1000 / 1500 / 2000 / 2500 / 3000				
Linearity	[%]	±0.05 (independent of the measurement range)				
Resolution scalable (with Software)		no	yes			
Standard resolution	[Pulses/mm] [Bit]	20.48 12	40.96 13			
Maximum resolution	[Pulses/mm] [Bit]	- -	327.68 16			
Sensor element		Multiturn-Absolute-Encoder with optical code disk				
Connection		see order code				
Power supply	[VDC]	10...30 (reverse polarity protection of the power supply)				
Current consumption (no load, at 24 VDC)	[mA]	max. 50	max. 100	max. 120	max. 200	
Protection class		IP65, optional IP67				
Humidity		max. 90 % relative, no condensation				
Temperature	[°C]	-20...+80				
Mechanical data		extraction force, maximum velocity and maximum acceleration see „Mechanical Data“				
Weight	[g]	approx. 1100				
Housing		aluminium, anodised, spring case PA6				
Special cables needed		yes				

ELECTRICAL DATA DIGITAL OUTPUT ABSOLUTE

Parameters of the SSI interface

Code	Gray
Output driver	RS485 Transceiver-Typ
Permissible load / channel	max. ±20 mA
Signal level	HIGH: typ 3.8 V LOW: with $I_{last} = 20$ mA typ 1.3 V
Resolution	12 bit
SSI clock rate	ST-resolution: 50 kHz...2 MHz
Monoflop time	≤ 15 µs
Data refresh rate	≤ 1 µs
Status and Parity bit	on request

Parameters of the Profibus DP interface

Code	Binary
Interface	Profibus DP 2.0 Standard (DIN 19245 Part 3), RS485 Driver galvanically isolated
Protocol	Profibus Encoder Profile V1.1 Class1 and Class2 with manufacturer-specific add-ons
Baud rate	maximum 12 Mbit/s
Device address	1...127 (set by rotary switches)
Termination switchable	set by DIP switches
SET Button (Option)	Zero or defined value option
LED	LED is ON with the following fault conditions: Sensor error, Profibus error

Parameters of the Profinet interface

Code	Binary
Protocol	PROFINET 10
LED Link1/Link2	green = active link / yellow = data transfer
Ezturn Software for Profinet (supplied with the encoder)	<ul style="list-style-type: none"> Monitoring of cyclic data (e.g. position, speed) Monitoring of acyclic data (e.g. IMO, electronic name plate, encoder parameters, warnings and error messages, preset) Setting of preset values Firmware updates via the bus

Parameters of the CANopen interface (CAN)

Code	Binary
Interface	CAN High-Speed acc. to ISO 11898, Basic- and Full-CAN, CAN Specification 2.0 B
Protocol	CANopen profile DS406 V3.2 with manufacturer-specific add-ons
Baud rate	10 ... 1000 kbit/s (can be set via DIP switches/ Software configurable)
Node address	1...127 (can be set via rotary switches/ Software configurable)
Termination	can be set via DIP switches/ Software configurable
SET Button (Option)	Zero or defined value option
LED	LED is ON with the following fault conditions: Sensor error (internal code or LED error) too low voltage, over-temperature

Parameters of the EtherCAT interface

Code	Binary
Protocol	EtherNet / EtherCAT
Modes	Freerun, Distributed Clock
Diagnostic LED red	LED is ON with the following fault conditions: Sensor error (internal code or LED error), low voltage, over-temperature
Run LED green	LED is ON with the following conditions: Preop-, Safeop and Op-State (EtherCAT Status machine)
2 x Link LEDs yellow	LED is ON with the following conditions (Port IN and Port OUT): Link detected

MECHANICAL DATA

Measurement range [mm]	Extraction force		Speed * V_{max} [m/s]	Acceleration * a_{max} [m/s ²]
	F_{min} [N]	F_{max} [N]		
1000	4.2	5.4	10	140
1500	4.2	5.4	10	140
2000	5	6.4	10	140
2500	5	6.4	10	140
3000	5	6.4	10	140

* reduced to 80 % when option IP67 is used

TECHNICAL DRAWING ANALOG OUTPUT AND DIGITAL OUTPUT WCAN

Measurement range	Output	A	B	C
1000 / 2000 mm	Potentiometer	21	73.5	Ø 40
1000 / 2000 mm	10V / 420A / 10VT / WCAN	21	87	Ø 40
1500 mm	all	21	102.5	Ø 60
2500 / 3000 mm	all	35	102.5	Ø 60

Connector output radial:
(only measurement ranges
1500, 2500 und 3000 mm)

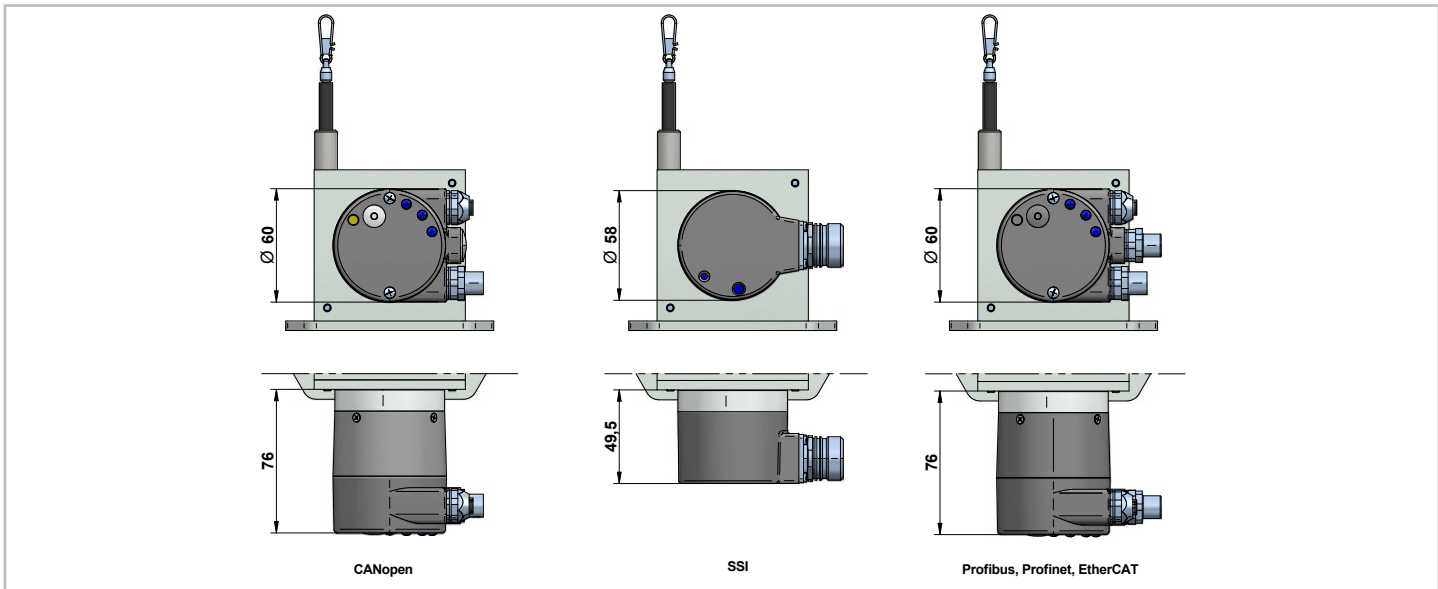
TECHNICAL DRAWING DIGITAL OUTPUT INCREMENTAL

Measurement range	A
1000 / 1500 / 2000 mm	21
2500 / 3000 mm	35

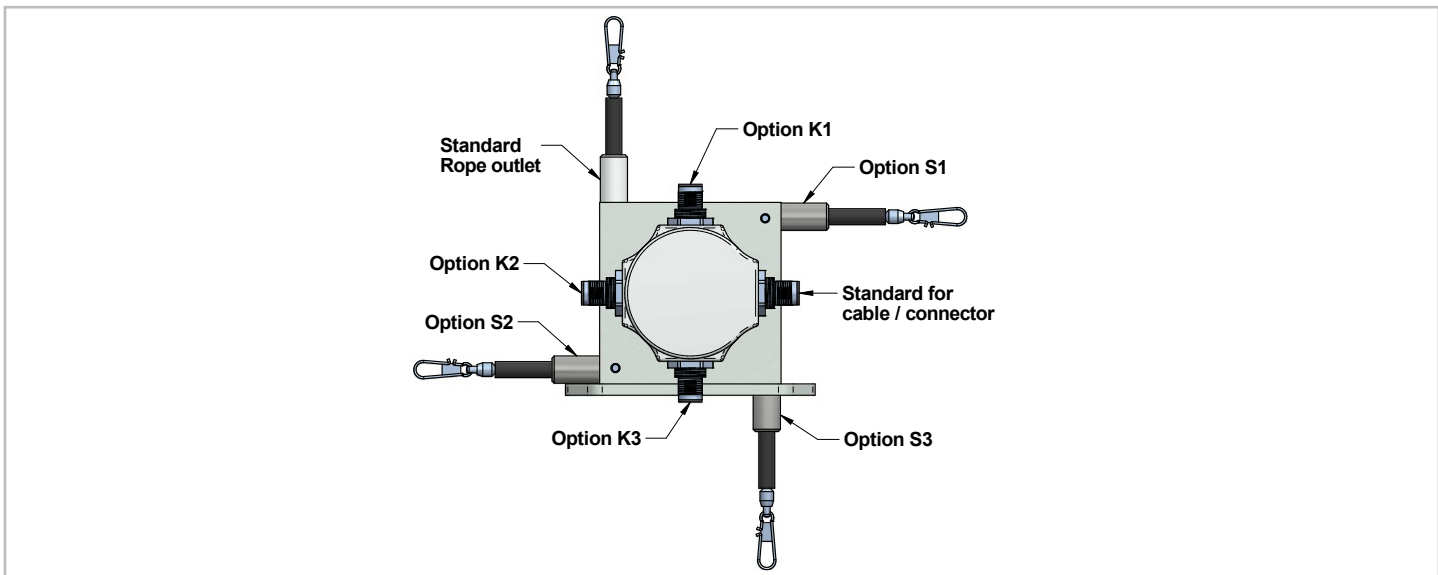
Connection	B
Cable / Connector axial, cable radial	54.5
Connector radial	64.5

Stecker/connector radial M12
Stecker/connector axial M12
Stecker/connector radial M23
Stecker/connector axial M23
Kabel/cable radial
Kabel/cable axial

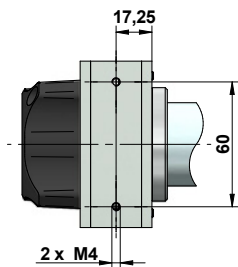
TECHNICAL DRAWING DIGITAL OUTPUT ABSOLUTE



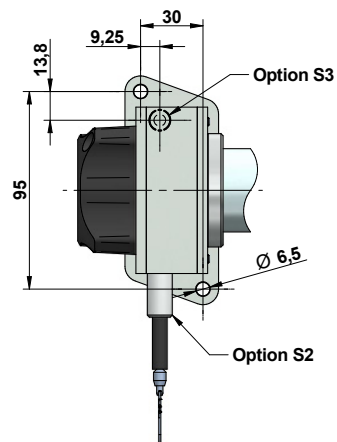
TECHNICAL DRAWING OPTIONS CHANGED ROPE OUTLET AND CABLE OUTPUT



Mounting: standard rope outlet, rope outlet sideways top (S1)
 The sensor is usually installed by using the regular mounting plate (see technical drawing above).
 By disassembling the mounting plate, there are 2 x M4 threads in the sensor housing for alternative installation.



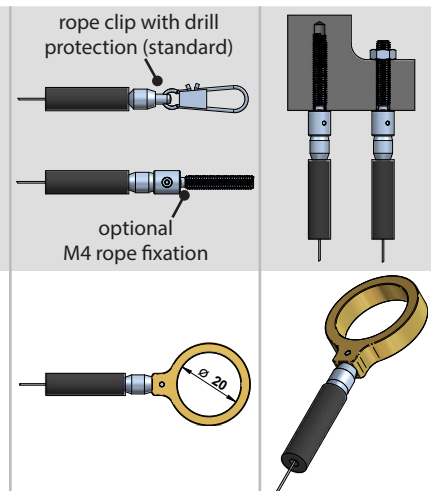
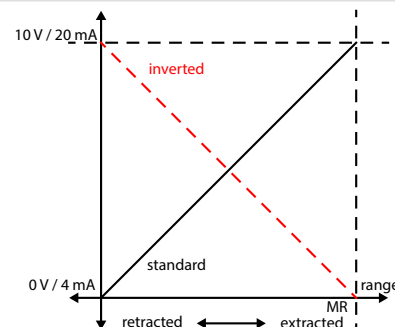
Mounting: rope outlet sideways bottom (S2), rope outlet bottom (S3)
 Sensors with option rope outlet S2 and S3 have a modified base plate:



OPTIONS

The following table gives an overview of frequently used options, with which the standard sensors can be equipped. Please pay attention that not all options can be combined. Information on possible combinations can be found in the order codes.

Option	Order code	Description
Changed cable or connector orientation (NOT with analog output)	K1, K2, K3	Rope outlet points upwards (see drawing on page 8): Standard: sideways, opposite to the rope outlet K1: at the top K2: sideways, same side as the rope outlet K3: at the bottom
Improved linearity	L02, L05, L10	Improved linearity 0.02 % (L02), 0.05 % (L05) or 0.1 % (L10)
Inverted output signal (analog output only)	IN	The analog signal of the sensor is increasing by extracting the rope (standard). Option IN inverts the signal, i.e. the signal of the sensor declines by extracting the rope.
Changed rope outlet (see drawing on page 8)	S1, S2, S3	S1: rope outlet sideways at the top S2: rope outlet sideways at the bottom (modified mounting plate, see page 8) S3: rope outlet on the bottom (modified mounting plate, see page 8)
Synthetic wire rope (instead of stainless steel wire rope)	COR	Synthetic wire rope, made out of abrasion resistant and enhanced Coramid.
Rope fixation by M4 thread	M4	Optional, pivoted rope fixation with screw thread M4, length 22 mm. Ideal for attachment to through holes or thread holes M4.
Rope fixation by eyelet	RI	The end of the wire rope is equipped with a eyelet instead of a rope clip. Inside diameter 20 mm
Protection class IP67	IP67	Use option IP67, if the sensor will operate in a humid environment. Note that with this option there may occur a light hysteresis in the output signal due to the special sealing. The max. acceleration and displacement speed are reduced to 80 % of the specified value.
Corrosion protection	CP	Includes a V4A wire rope, stainless steel bearings and option M4. The sensors rope drum gets HARTCOAT® coated. This coating is a hard-anodic oxidation that protects the sensor from corrosion by aggressive media (e. g. sea water) with a hard ceramics-like layer.
Increased corrosion protection (analog output only)	ICP	Components of the housing and the rope drum get HARTCOAT® coated. Includes the options CP, IP67 and M4.
Increased temperature range High (potentiometer 1R only)	T120	Sensors with potentiometer output (1R) and cable output can be operated from -20 to +120 °C when this option is used. (NOT in combination with voltage-, current- or digital output signals)
Increased temperature range Low (analog output only)	T40	Special components and a low temperature grease make a working temperature down to -40 °C (up to +85°C) possible.

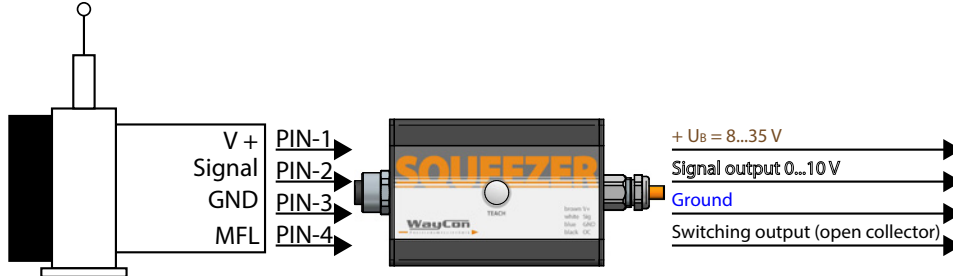


ACCESSORY SQUEEZER FOR TEACHABLE OUTPUTS 5VT AND 10VT

Draw wire sensors with the analogue output versions 5VT and 10VT are equipped with teachable, internal electronics, called VT-Electronics. The signals provided by the sensor's potentiometer are digitized by the VT-Electronics. This digital information is first processed by the electronics, then transformed back and given out as an analogue output signal 0 to 5 V or 0 to 10 V.

The digitization offers two possibilities of adjustment, by which the sensor can be configured individually using the Squeezer:

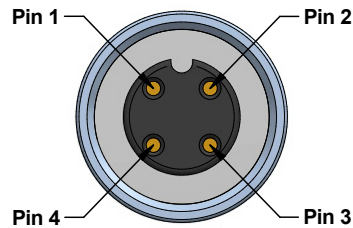
1. Teaching of the measurement range. After a successful teaching process, the squeezer can be pulled off the sensor and be replaced by a standard cable or connector.
2. Setting an individual switching point. The squeezer allows the setting of an individual switching point open collector. The switching signal is emitted through the multi-functional line MFL.



A detailed description of the functions can be found in a separate [manual](#).

Electrical connection Squeezer

Accessory:
Connection cable sensor to
Squeezer:
K4P1,5M-SB-M12



Connector (to sensor)		Cable ends (to PLC)	
PIN 1	V +	BN	V +
PIN 2	Signal	WH	Signal
PIN 3	GND	BU	GND
PIN 4	MFL*	BK	NPN*

MFL = multi-functional line

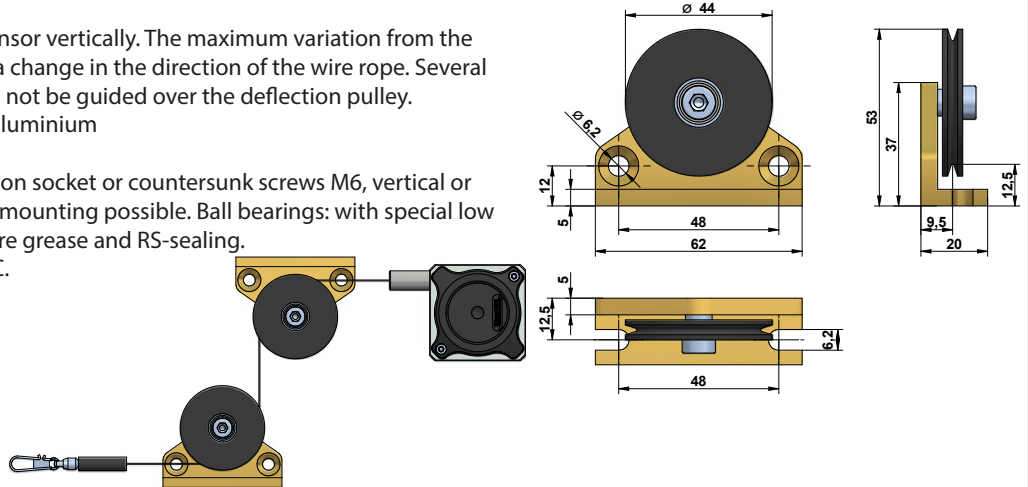
* The open collector is a NPN switching output

GENERAL ACCESSORIES

Deflection pulley - UR2

The rope must be extracted from the sensor vertically. The maximum variation from the vertical is 3°. A deflection pulley allows a change in the direction of the wire rope. Several pulleys may be used. The rope clip must not be guided over the deflection pulley.

- Material foot: anodised aluminium
 Material rope wheel: POM-C
 Mounting: by 2 hexagon socket or countersunk screws M6, vertical or horizontal mounting possible. Ball bearings: with special low temperature grease and RS-sealing.
 Temperature: -40...+80 °C.

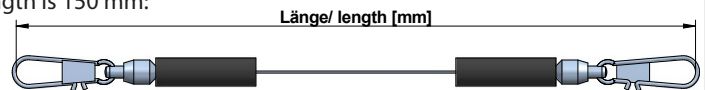


Rope extension - SV

For bridging a greater distance between the measuring target and the sensor a rope extension can be applied. The rope clip must not be guided over the deflection pulley.

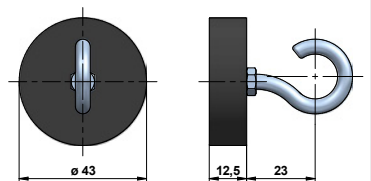
Please specify the length needed in your order (XXXX). The minimum length is 150 mm:

- SV1-XXXX: rope extension (150...4995 mm)
 SV2-XXXX: rope extension (5000...19995 mm)
 SV3-XXXX: rope extension (20000...40000 mm)

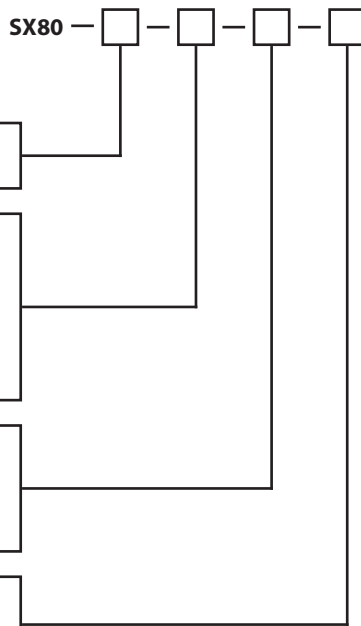


Magnetic clamp - MGG1

Use the magnetic clamp to quickly attach the rope to metallic objects without any assembly time. A rubber coating provides gentle contact (e. g. on varnished surfaces) and prevents from slipping due to vibration. The magnet consists of a neodym core for an increased adhesive force of 260 N. The hook makes it easy to attach the rope clip.



ORDER CODE ANALOG OUTPUT



Measurement range [mm]	
1000 / 1500 / 2000 / 2500 / 3000	

Output signal		
Potentiometer	1 kΩ	1R
Voltage	0...10 V	10V
Voltage	0...5 V (teachable)	5VT
Voltage	0...10 V (teachable)	10VT
Current	4...20 mA	420A

Connection		
Connector output M12, axial, 4 pins	SA12	
Connector output M12, radial, 4 pins ¹	SR12	
Cable output, axial ²	KA__	

Version	
Standard	-
Sensor with options	O

¹ only for measurement ranges 1500, 2500, 3500 mm

² Length in m (min. 2 m)

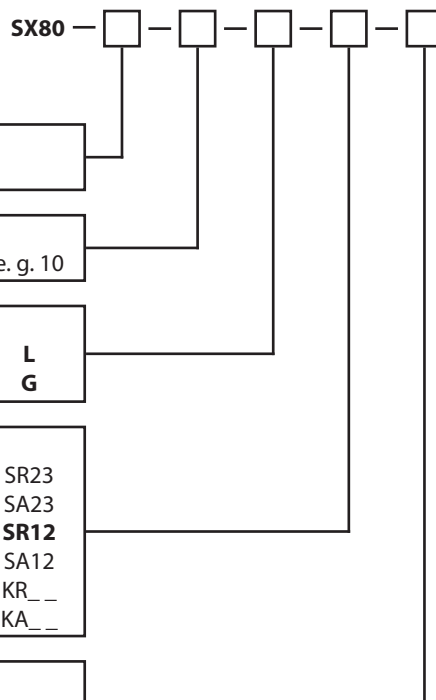
Examples: **KA02** = 2 m, **KA05** = 5 m

Bold text: standard with shorter lead time

Option	Description
L05	improved linearity ±0.05 %
L10	improved linearity ±0.1 %
IN	inverted output signal
S1	rope outlet sideways top
S2	rope outlet sideways bottom
S3	rope outlet bottom
COR	synthetic wire rope (Coramid)
M4	rope fixation M4 thread
RI	rope fixation eyelet
IP67	protection class IP67
CP	corrosion protection
ICP	increased corrosion protection
T120	increased temperature -40...+85°C
T40	increased temperature -20...+120 °C

Option	not combinable with
L05	MR 1000/1500/2500/3000, T40
L10	MR 2000/2500/3000, T40
COR	MR 2500/3000, T120
M4	CP, ICP
RI	CP, ICP
IP67	T120, ICP
CP	M4, RI, T120
ICP	M4, RI, IP67, T120
T120	10V, 5VT, 10VT, 420A, SA12, SR12, COR, IP67, CP, ICP
T40	L05, L10

ORDER CODE DIGITAL OUTPUT INCREMENTAL



Measurement range [mm]	
1000 / 1500 / 2000 / 2500 / 3000	

Resolution [Pulses/mm]	
0.5 / 5 / 10 / 25	e. g. 10

Output signal	
Line driver RS422 (TTL)	L
Push-Pull (HTL)	G

Connection		
Connector output M23, radial, 12 pins	SR23	
Connector output M23, axial, 12 pins	SA23	
Connector output M12, radial, 8 pins	SR12	
Connector output M12, axial, 8 pins	SA12	
Cable output, radial ¹	KR__	
Cable output, axial ¹	KA__	

Version	
Standard	-
Sensor with options	O

¹ Length in m (min. 2 m)

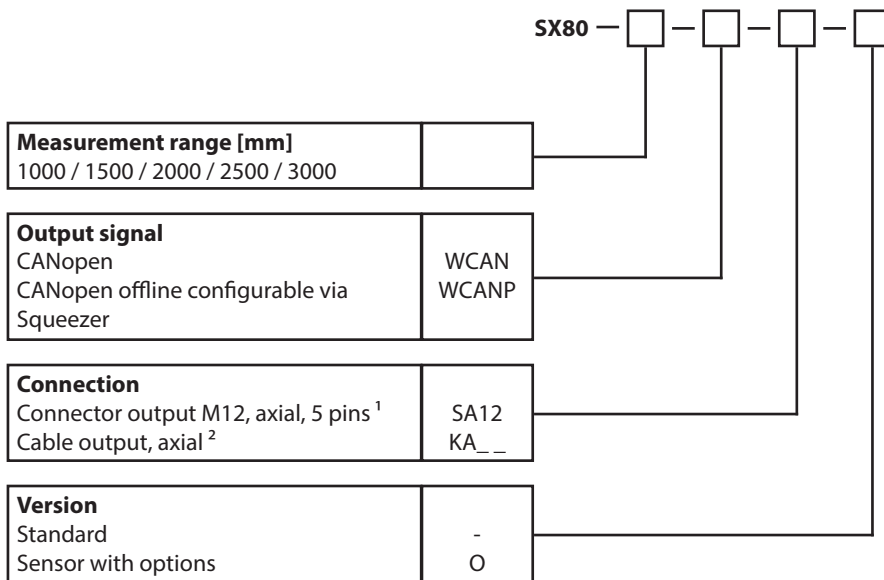
Examples: **KR02** = 2 m, **KR05** = 5 m

Bold text: standard with shorter lead time

Option	Description
K1	cable/connector orientation top
K2	cable/connector orientation left
K2	cable/connector orientation bottom
L02	improved linearity ±0.02 %
S1	rope outlet sideways top
S2	rope outlet sideways bottom
S3	rope outlet bottom
COR	synthetic wire rope (Coramid)
M4	rope fixation M4 thread
RI	rope fixation eyelet
IP67	protection class IP67
CP	corrosion protection

Option	not combinable with
L02	resolution 0.5 / 5
COR	MR 2500/3000
M4	CP
RI	CP
CP	M4, RI

ORDER CODE DIGITAL OUTPUT ABSOLUTE CANopen (WCAN)



Measurement range [mm] 1000 / 1500 / 2000 / 2500 / 3000	
---	--

Output signal CANopen CANopen offline configurable via Squeezer	WCAN WCANP
--	---------------

Connection Connector output M12, axial, 5 pins ¹ Cable output, axial ²	SA12 KA_
---	-------------

Version Standard Sensor with options	- O
---	--------

Option	Description
S1	rope outlet sideways top
S2	rope outlet sideways bottom
S3	rope outlet bottom
COR	synthetic wire rope (Coramid)
M4	rope fixation M4 thread
RI	rope fixation eyelet
IP67	protection class IP67
CP	corrosion protection
ICP	increased corrosion protection
T40	increased temperature -40...+85°C

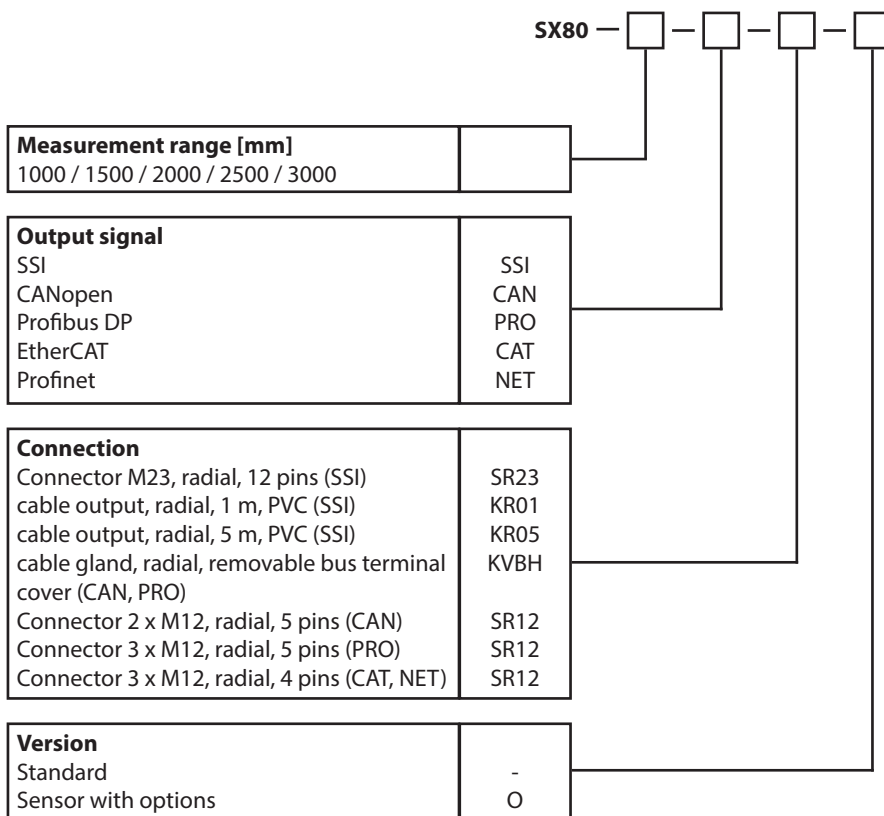
Option	not combinable with
COR	MR 2500/3000
M4	CP, ICP
RI	CP, ICP
IP67	ICP
CP	M4, RI
ICP	M4, RI, IP67

¹ 8 pins in combination with WCANP

² Length in m (Minimum 2 m)

Examples: KA02 = 2 m, KA05 = 5 m

ORDER CODE DIGITAL OUTPUT ABSOLUTE



Measurement range [mm] 1000 / 1500 / 2000 / 2500 / 3000	
---	--

Output signal SSI CANopen Profibus DP EtherCAT Profinet	SSI CAN PRO CAT NET
---	---------------------------------

Connection Connector M23, radial, 12 pins (SSI) cable output, radial, 1 m, PVC (SSI) cable output, radial, 5 m, PVC (SSI) cable gland, radial, removable bus terminal cover (CAN, PRO) Connector 2 x M12, radial, 5 pins (CAN) Connector 3 x M12, radial, 5 pins (PRO) Connector 3 x M12, radial, 4 pins (CAT, NET)	SR23 KR01 KR05 KVBH SR12 SR12 SR12
---	--

Version Standard Sensor with options	- O
---	--------

Option	Description
K1	cable/connector orientation top
K2	cable/connector orientation left
K3	cable/connector orientation bottom
S1	rope outlet sideways top
S2	rope outlet sideways bottom
S3	rope outlet bottom
COR	synthetic wire rope (Coramid)
M4	rope fixation M4 thread
RI	rope fixation eyelet
IP67	protection class IP67
CP	corrosion protection

Option	not combinable with
COR	MR 2500/3000
M4	CP
RI	CP
CP	M4, RI

GENERAL ACCESSORIES

SQUEEZER2M	accessory for VT or WCANP output, 2 m cable
SQUEEZER5M	accessory for VT or WCANP output, 5 m cable
SQUEEZER10M	accsy for VT or WCANP output, 10 m cable
UR2	deflection pulley

MGG1	magnetic clamp
SV1-XXXX	rope extension (150 mm up to 4995 mm)
SV2-XXXX	rope extension (5000 mm up to 19995 mm)
SV3-XXXX	rope extension (20000 mm up to 40000 mm)

ACCESSORIES ANALOG OUTPUT

Cable with mating connector M12, 4 poles, shielded

K4P2M-S-M12	2 m, straight connector
K4P5M-S-M12	5 m, straight connector
K4P10M-S-M12	10 m, straight connector
K4P2M-SW-M12	2 m, angular connector
K4P5M-SW-M12	5 m, angular connector
K4P10M-SW-M12	10 m, angular connector

Mating connector M12, 4 poles, shielded

D4-G-M12-S	straight, M12 for self assembly
D4-W-M12-S	angular, M12 for self assembly

Connection cable sensor to Squeezer

K4P1,5M-SB-M12	1.5 m, 4-pole, shielded
----------------	-------------------------

ACCESSORIES DIGITAL OUTPUT INCREMENTAL

Cable with mating connector M12, 8 poles, shielded

K8P2M-S-M12	2 m, straight connector
K8P5M-S-M12	5 m, straight connector
K8P10M-S-M12	10 m, straight connector
K8P2M-SW-M12	2 m, angular connector
K8P5M-SW-M12	5 m, angular connector
K8P10M-SW-M12	10 m, angular connector

Cable with mating connector M23, 12 poles, shielded

K8P2M-S-M23	2 m, straight connector
K8P5M-S-M23	5 m, straight connector
K8P10M-S-M23	10 m, straight connector

Mating connector M23, 12 poles, shielded

CON012-S	straight, M23 for self assembly, metal housing
----------	--

Mating connector M12, 8 poles, shielded

D8-G-M12-S	straight, M12 for self assembly
D8-W-M12-S	angular, M12 for self assembly

ACCESSORIES DIGITAL OUTPUT ABSOLUTE CANOpen (WCAN)

Cable with mating connector M12, 5 poles, shielded

K5P2M-S-M12	2 m, straight connector
K5P2M-SW-M12	2 m, angular connector

Connection cable sensor to Squeezer for WCANP

K48P03M-SB-M12	0.3 m, shielded, 8 poles to 4 poles
----------------	-------------------------------------

Cable for WCANP with mating connector M12, 8 poles, shielded

K8P2M-S-M12	2 m, straight connector
K8P2M-SW-M12	2 m, angular connector

Adapter cable WCANP to CAN-Bus

K58P03M-SB-M12	0.3 m, shielded, 8 poles to 5 poles
----------------	-------------------------------------

ACCESSORIES DIGITAL OUTPUT ABSOLUTE SSI

Cable with mating connector M23, 12 poles, shielded

K12P02M-S-M23-SSI	2 m, straight connector
K12P05M-S-M23-SSI	5 m, straight connector
K12P10M-S-M23-SSI	10 m, straight connector
K12P15M-S-M23-SSI	15 m, straight connector

Mating connector M23, 12 poles, shielded

CON012-S	straight, M23 for self assembly, metal housing
----------	--

ACCESSORIES DIGITAL OUTPUT ABSOLUTE CANopen (CAN)

Cable with mating connector M12, 5 poles, shielded

K5P2M-B-M12-CAN 2 m, plug female M12, open ends

K5P2M-SB-M12-CAN 2 m, connector male M12, plug female M12

K5P2M-S-M12-CAN 2 m, connector male M12, open ends

ACCESSORIES DIGITAL OUTPUT ABSOLUTE PROFIBUS

Cable with mating connector M12, 5 poles, shielded

K5P2M-B-M12-PROF 2 m, plug female M12, open ends

K5P2M-SB-M12-PROF 2 m, connector male M12, plug female M12

K5P2M-S-M12-PROF 2 m, connector male M12, open ends

Other

M12-PROF-AW termination resistor

ACCESSORIES DIGITAL OUTPUT ABSOLUTE EtherCAT AND PROFINET

Cable with mating connector M12, 4 poles, shielded

K4P2M-S-M12-CAT 2 m, connector male M12, open ends

K4P5M-S-M12-CAT 5 m, connector male M12, open ends

K4P10M-S-M12-CAT 10 m, connector male M12, open ends

Cable with mating connector M12, 4 poles, shielded

K4P2M-SS-M12-CAT 2 m, plug female M12, open ends

K4P5M-SS-M12-CAT 5 m, plug female M12, open ends

K4P10M-SS-M12-CAT 10 m, plug female M12, open ends

Please note, that an additional cable is required for the power supply. Appropriate cables can be chosen from the list of the [„Accessories Analog Output“](#).

Subject to change without prior notice.

WayCon Positionsmesstechnik GmbH

email: info@waycon.de

internet: www.waycon.biz

WayCon

Positionsmesstechnik

Head Office

Mehlbeerenstr. 4

82024 Taufkirchen

Tel. +49 (0)89 67 97 13-0

Fax +49 (0)89 67 97 13-250

Office Köln

Auf der Pehle 1

50321 Brühl

Tel. +49 (0)2232 56 79 44

Fax +49 (0)2232 56 79 45